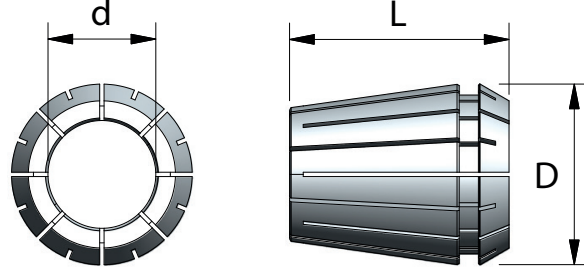


# TUTUCU PENSLER

## COLLECTS



  
*Cardiff*

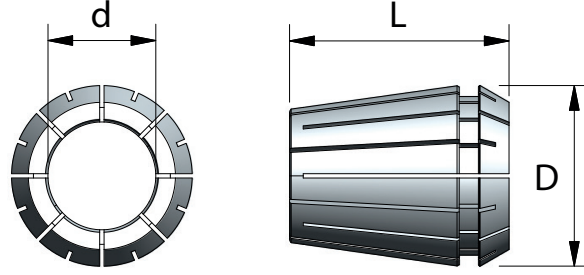


Sipariş No. Order No.	Ürün Tanımı Product	ER Tipi ER Type	d (mm)	D (mm)	L (mm)	Fiyat / Price (€)
CTT 900.10.16.01	ER16-01	ER16	1	17	27,5	
CTT 900.10.16.02	ER16-02	ER16	2	17	27,5	
CTT 900.10.16.03	ER16-03	ER16	3	17	27,5	
CTT 900.10.16.04	ER16-04	ER16	4	17	27,5	
CTT 900.10.16.05	ER16-05	ER16	5	17	27,5	
CTT 900.10.16.06	ER16-06	ER16	6	17	27,5	
CTT 900.10.16.07	ER16-07	ER16	7	17	27,5	
CTT 900.10.16.08	ER16-08	ER16	8	17	27,5	
CTT 900.10.16.09	ER16-09	ER16	9	17	27,5	
CTT 900.10.16.10	ER16-10	ER16	10	17	27,5	

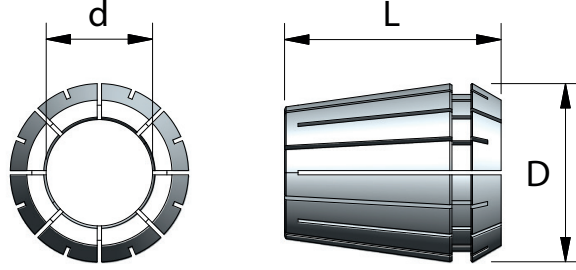
# ER Tipi pensler DIN 6499

## Collets System ER DIN 6499

### ER 20



Sipariş No. Order No.	Ürün Tanımı Product	ER Tipi ER Type	d (mm)	D (mm)	L (mm)	Fiyat / Price (€)
CTT 900.10.20.02	ER20-02	ER20	2	21	31,5	
CTT 900.10.20.03	ER20-03	ER20	3	21	31,5	
CTT 900.10.20.04	ER20-04	ER20	4	21	31,5	
CTT 900.10.20.05	ER20-05	ER20	5	21	31,5	
CTT 900.10.20.06	ER20-06	ER20	6	21	31,5	
CTT 900.10.20.07	ER20-07	ER20	7	21	31,5	
CTT 900.10.20.08	ER20-08	ER20	8	21	31,5	
CTT 900.10.20.09	ER20-09	ER20	9	21	31,5	
CTT 900.10.20.10	ER20-10	ER20	10	21	31,5	
CTT 900.10.20.11	ER20-11	ER20	11	21	31,5	
CTT 900.10.20.12	ER20-12	ER20	12	21	31,5	
CTT 900.10.20.13	ER20-13	ER20	13	21	31,5	

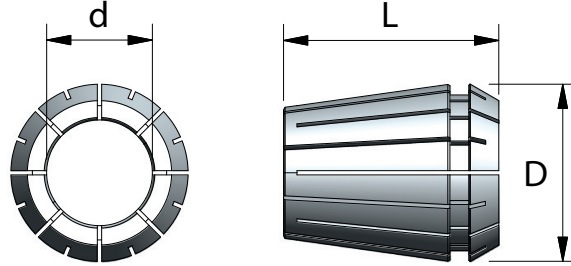


Sipariş No. Order No.	Ürün Tanımı Product	ER Tipi ER Type	d (mm)	D (mm)	L (mm)	Fiyat / Price (€)
CTT 900.10.25.02	ER25-02	ER25	2	26	34	
CTT 900.10.25.03	ER25-03	ER25	3	26	34	
CTT 900.10.25.04	ER25-04	ER25	4	26	34	
CTT 900.10.25.05	ER25-05	ER25	5	26	34	
CTT 900.10.25.06	ER25-06	ER25	6	26	34	
CTT 900.10.25.07	ER25-07	ER25	7	26	34	
CTT 900.10.25.08	ER25-08	ER25	8	26	34	
CTT 900.10.25.09	ER25-09	ER25	9	26	34	
CTT 900.10.25.10	ER25-10	ER25	10	26	34	
CTT 900.10.25.11	ER25-11	ER25	11	26	34	
CTT 900.10.25.12	ER25-12	ER25	12	26	34	
CTT 900.10.25.13	ER25-13	ER25	13	26	34	
CTT 900.10.25.14	ER25-14	ER25	14	26	34	
CTT 900.10.25.15	ER25-15	ER25	15	26	34	
CTT 900.10.25.16	ER25-16	ER25	16	26	34	

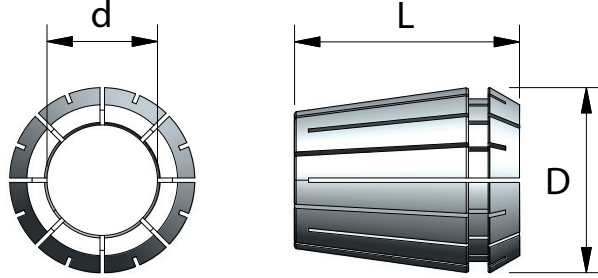
# ER Tipi pensler DIN 6499

## Collets System ER DIN 6499

### ER 32



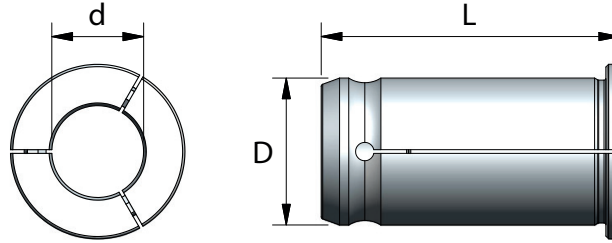
Sipariş No. Order No.	Ürün Tanımı Product	ER Tipi ER Type	d (mm)	D (mm)	L (mm)	Fiyat / Price (€)
CTT 900.10.32.03	ER32-03	ER32	3	33	40	
CTT 900.10.32.04	ER32-04	ER32	3	33	40	
CTT 900.10.32.05	ER32-05	ER32	4	33	40	
CTT 900.10.32.06	ER32-06	ER32	5	33	40	
CTT 900.10.32.07	ER32-07	ER32	6	33	40	
CTT 900.10.32.08	ER32-08	ER32	7	33	40	
CTT 900.10.32.09	ER32-09	ER32	8	33	40	
CTT 900.10.32.10	ER32-10	ER32	9	33	40	
CTT 900.10.32.11	ER32-11	ER32	10	33	40	
CTT 900.10.32.12	ER32-12	ER32	11	33	40	
CTT 900.10.32.13	ER32-13	ER32	12	33	40	
CTT 900.10.32.14	ER32-14	ER32	13	33	40	
CTT 900.10.32.15	ER32-15	ER32	14	33	40	
CTT 900.10.32.16	ER32-16	ER32	15	33	40	
CTT 900.10.32.17	ER32-17	ER32	16	33	40	
CTT 900.10.32.18	ER32-18	ER32	17	33	40	
CTT 900.10.32.19	ER32-19	ER32	18	33	40	
CTT 900.10.32.20	ER32-20	ER32	19	33	40	
CTT 900.10.32.21	ER32-21	ER32	20	33	40	



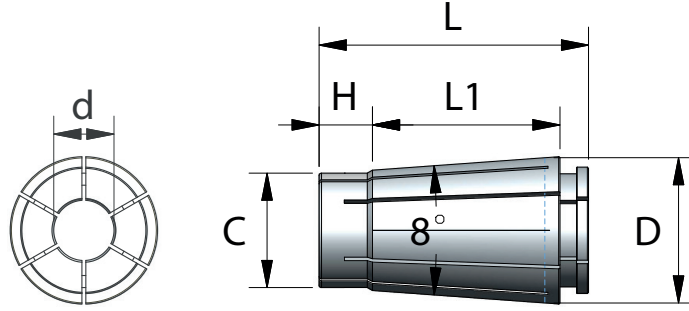
Sipariş No. Order No.	Ürün Tanımı Product	ER Tipi ER Type	d (mm)	D (mm)	L (mm)	Fiyat / Price (€)
CTT 900.10.40.03	ER40-03	ER40	3	41	46	
CTT 900.10.40.04	ER40-04	ER40	4	41	46	
CTT 900.10.40.05	ER40-05	ER40	5	41	46	
CTT 900.10.40.06	ER40-06	ER40	6	41	46	
CTT 900.10.40.07	ER40-07	ER40	7	41	46	
CTT 900.10.40.08	ER40-08	ER40	8	41	46	
CTT 900.10.40.09	ER40-09	ER40	9	41	46	
CTT 900.10.40.10	ER40-10	ER40	10	41	46	
CTT 900.10.40.11	ER40-11	ER40	11	41	46	
CTT 900.10.40.12	ER40-12	ER40	12	41	46	
CTT 900.10.40.13	ER40-13	ER40	13	41	46	
CTT 900.10.40.14	ER40-14	ER40	14	41	46	
CTT 900.10.40.15	ER40-15	ER40	15	41	46	
CTT 900.10.40.16	ER40-16	ER40	16	41	46	
CTT 900.10.40.17	ER40-17	ER40	17	41	46	
CTT 900.10.40.18	ER40-18	ER40	18	41	46	
CTT 900.10.40.19	ER40-19	ER40	19	41	46	
CTT 900.10.40.20	ER40-20	ER40	20	41	46	
CTT 900.10.40.21	ER40-21	ER40	21	41	46	
CTT 900.10.40.22	ER40-22	ER40	22	41	46	
CTT 900.10.40.23	ER40-23	ER40	23	41	46	
CTT 900.10.40.24	ER40-24	ER40	24	41	46	
CTT 900.10.40.25	ER40-25	ER40	25	41	46	
CTT 900.10.40.26	ER40-26	ER40	26	41	46	

## Bilyalı Tutucu Pensi

### Collet for Precision Milling Chuck



Sipariş No. Order No.	Ürün Tanımı Product	d (mm)	D (mm)	L (mm)	Fiyat / Price (€)
CTT 900.50.20.06	RM20 - 06	06	20	53	
CTT 900.50.20.08	RM20 - 08	08	20	53	
CTT 900.50.20.10	RM20 - 10	10	20	53	
CTT 900.50.20.12	RM20 - 12	12	20	53	
CTT 900.50.20.16	RM20 - 16	16	20	53	
CTT 900.50.25.06	RM25 - 06	06	25	62	
CTT 900.50.25.08	RM25 - 08	08	25	62	
CTT 900.50.25.10	RM25 - 10	10	25	62	
CTT 900.50.25.12	RM25 - 12	12	25	62	
CTT 900.50.25.16	RM25 - 16	16	25	62	
CTT 900.50.25.20	RM25 - 20	20	25	62	
CTT 900.50.32.06	RM32 - 06	06	32	65	
CTT 900.50.32.08	RM32 - 08	08	32	65	
CTT 900.50.32.10	RM32 - 10	10	32	65	
CTT 900.50.32.12	RM32 - 12	12	32	65	
CTT 900.50.32.16	RM32 - 16	16	32	65	
CTT 900.50.32.20	RM32 - 20	20	32	65	
CTT 900.50.32.25	RM32 - 25	25	32	65	



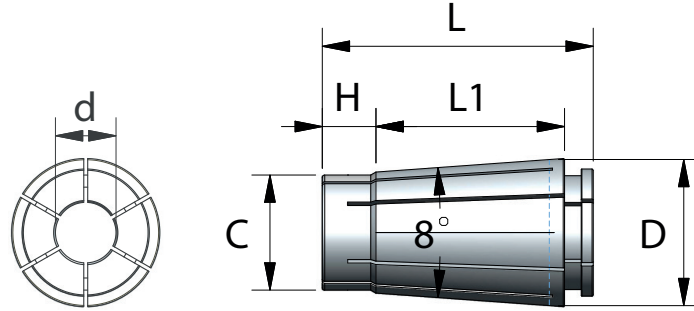
Sipariş No. Order No.	Ürün Tanımı Product	Menzil Range	d (mm)	D (mm)	L (mm)	C (mm)	L1 (mm)	H (mm)	Fiyat / Price (€)
CTT 900.60.13.030	SK13 - 03.0	0.50	02.75 - 3.0	19.5	39	15.5	28.5	5.5	
CTT 900.60.13.035	SK13 - 03.5	0.50	03.0 - 03.5	19.5	39	15.5	28.5	5.5	
CTT 900.60.13.040	SK13 - 04.0	0.50	03.5 - 04.0	19.5	39	15.5	28.5	5.5	
CTT 900.60.13.045	SK13 - 04.5	0.50	04.0 - 04.5	19.5	39	15.5	28.5	5.5	
CTT 900.60.13.050	SK13 - 05.0	0.50	04.5 - 05.0	19.5	39	15.5	28.5	5.5	
CTT 900.60.13.055	SK13 - 05.5	0.50	05.0 - 05.5	19.5	39	15.5	28.5	5.5	
CTT 900.60.13.060	SK13 - 06.0	0.50	05.5 - 06.0	19.5	39	15.5	28.5	5.5	
CTT 900.60.13.065	SK13 - 06.5	0.50	06.0 - 06.5	19.5	39	15.5	28.5	5.5	
CTT 900.60.13.070	SK13 - 07.0	0.50	06.5 - 07.0	19.5	39	15.5	28.5	5.5	
CTT 900.60.13.075	SK13 - 07.5	0.50	07.0 - 07.5	19.5	39	15.5	28.5	5.5	
CTT 900.60.13.080	SK13 - 08.0	0.50	07.5 - 08.0	19.5	39	15.5	28.5	5.5	
CTT 900.60.13.085	SK13 - 08.5	0.50	08.0 - 08.5	19.5	39	15.5	28.5	5.5	
CTT 900.60.13.090	SK13 - 09.0	0.50	08.5 - 09.0	19.5	39	15.5	28.5	5.5	
CTT 900.60.13.095	SK13 - 09.5	0.50	09.0 - 09.5	19.5	39	15.5	28.5	5.5	
CTT 900.60.13.100	SK13 - 10.0	0.50	09.5 - 10.0	19.5	39	15.5	28.5	5.5	
CTT 900.60.13.105	SK13 - 10.5	0.50	10.0 - 10.5	19.5	39	15.5	28.5	5.5	
CTT 900.60.13.110	SK13 - 11.0	0.50	10.5 - 11.0	19.5	39	15.5	28.5	5.5	
CTT 900.60.13.115	SK13 - 11.5	0.50	11.0 - 11.5	19.5	39	15.5	28.5	5.5	
CTT 900.60.13.120	SK13 - 12.0	0.50	11.5 - 12.0	19.5	39	15.5	28.5	5.5	
CTT 900.60.13.125	SK13 - 12.5	0.50	12.0 - 12.5	19.5	39	15.5	28.5	5.5	
CTT 900.60.13.130	SK13 - 13.0	0.50	12.5 - 13.0	19.5	39	15.5	28.5	5.5	



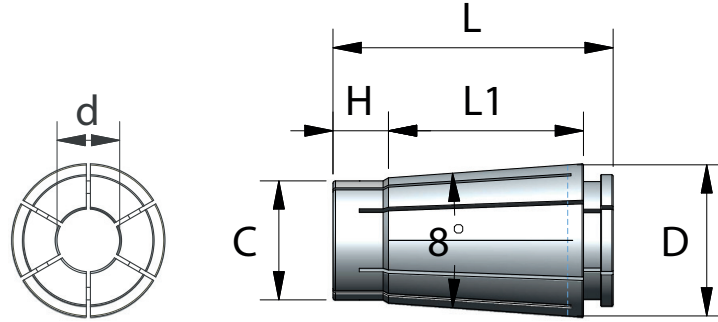
# Yüksek Hızlı tezgahlar için Hassas Pens

## High Speed SK Collect Chuck for High Speed Machining

SK 16



Sipariş No. Order No.	Ürün Tanımı Product	Menzil Range	d (mm)	D (mm)	L (mm)	C (mm)	L1 (mm)	H (mm)	Fiyat / Price (€)
CTT 900.60.16.030	SK16 - 03.0	0.5	02.75 - 3.0	24	45	18.8	32	8	
CTT 900.60.16.035	SK16 - 03.5	0.5	03.0 - 03.5	24	45	18.8	32	8	
CTT 900.60.16.040	SK16 - 04.0	0.5	03.5 - 04.0	24	45	18.8	32	8	
CTT 900.60.16.045	SK16 - 04.5	0.5	04.0 - 04.5	24	45	18.8	32	8	
CTT 900.60.16.050	SK16 - 05.0	0.5	04.5 - 05.0	24	45	18.8	32	8	
CTT 900.60.16.055	SK16 - 05.5	0.5	05.0 - 05.5	24	45	18.8	32	8	
CTT 900.60.16.060	SK16 - 06.0	0.5	05.5 - 06.0	24	45	18.8	32	8	
CTT 900.60.16.065	SK16 - 06.5	0.5	06.0 - 06.5	24	45	18.8	32	8	
CTT 900.60.16.070	SK16 - 07.0	0.5	06.5 - 07.0	24	45	18.8	32	8	
CTT 900.60.16.075	SK16 - 07.5	0.5	07.0 - 07.5	24	45	18.8	32	8	
CTT 900.60.16.080	SK16 - 08.0	0.5	07.5 - 08.0	24	45	18.8	32	8	
CTT 900.60.16.085	SK16 - 08.5	0.5	08.0 - 08.5	24	45	18.8	32	8	
CTT 900.60.16.090	SK16 - 09.0	0.5	08.5 - 09.0	24	45	18.8	32	8	
CTT 900.60.16.095	SK16 - 09.5	0.5	09.0 - 09.5	24	45	18.8	32	8	
CTT 900.60.16.100	SK16 - 10.0	0.5	09.5 - 10.0	24	45	18.8	32	8	
CTT 900.60.16.105	SK16 - 10.5	0.5	10.0 - 10.5	24	45	18.8	32	8	
CTT 900.60.16.110	SK16 - 11.0	0.5	10.5 - 11.0	24	45	18.8	32	8	
CTT 900.60.16.115	SK16 - 11.5	0.5	11.0 - 11.5	24	45	18.8	32	8	
CTT 900.60.16.120	SK16 - 12.0	0.5	11.5 - 12.0	24	45	18.8	32	8	
CTT 900.60.16.125	SK16 - 12.5	0.5	12.0 - 12.5	24	45	18.8	32	8	
CTT 900.60.16.130	SK16 - 13.0	0.5	12.5 - 13.0	24	45	18.8	32	8	
CTT 900.60.16.135	SK16 - 13.5	0.5	13.0 - 13.5	24	45	18.8	32	8	
CTT 900.60.16.140	SK16 - 14.0	0.5	13.5 - 14.0	24	45	18.8	32	8	
CTT 900.60.16.145	SK16 - 14.5	0.5	14.0 - 14.5	24	45	18.8	32	8	
CTT 900.60.16.150	SK16 - 15.0	0.5	14.5 - 15.0	24	45	18.8	32	8	
CTT 900.60.16.155	SK16 - 15.5	0.5	15.0 - 15.5	24	45	18.8	32	8	
CTT 900.60.16.160	SK16 - 16.0	0.5	15.5 - 16.0	24	45	18.8	32	8	

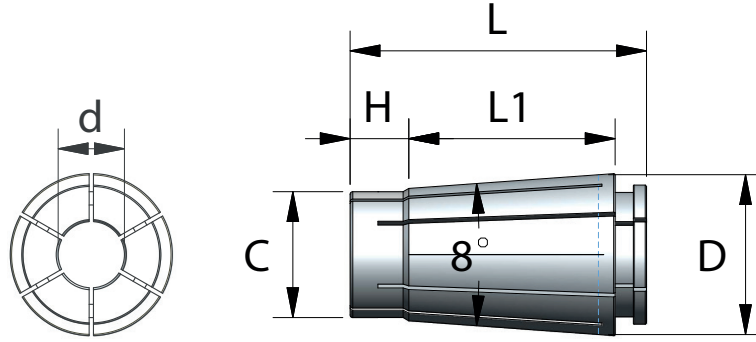


Sipariş No. Order No.	Ürün Tanımı Product	Menzil Range	d (mm)	D (mm)	L (mm)	C (mm)	L1 (mm)	H (mm)	Fiyat / Price (€)
CTT 900.60.20.040	SK20 - 04.0	0.5	03.5 - 04.0	28.5	54	23.4	41	8	
CTT 900.60.20.045	SK20 - 04.5	0.5	04.0 - 04.5	28.5	54	23.4	41	8	
CTT 900.60.20.050	SK20 - 05.0	0.5	04.5 - 05.0	28.5	54	23.4	41	8	
CTT 900.60.20.055	SK20 - 05.5	0.5	05.0 - 05.5	28.5	54	23.4	41	8	
CTT 900.60.20.060	SK20 - 06.0	0.5	05.5 - 06.0	28.5	54	23.4	41	8	
CTT 900.60.20.065	SK20 - 06.5	0.5	06.0 - 06.5	28.5	54	23.4	41	8	
CTT 900.60.20.070	SK20 - 07.0	0.5	06.5 - 07.0	28.5	54	23.4	41	8	
CTT 900.60.20.075	SK20 - 07.5	0.5	07.0 - 07.5	28.5	54	23.4	41	8	
CTT 900.60.20.080	SK20 - 08.0	0.5	07.5 - 08.0	28.5	54	23.4	41	8	
CTT 900.60.20.085	SK20 - 08.5	0.5	08.0 - 08.5	28.5	54	23.4	41	8	
CTT 900.60.20.090	SK20 - 09.0	0.5	08.5 - 09.0	28.5	54	23.4	41	8	
CTT 900.60.20.095	SK20 - 09.5	0.5	09.0 - 09.5	28.5	54	23.4	41	8	
CTT 900.60.20.100	SK20 - 10.0	0.5	09.5 - 10.0	28.5	54	23.4	41	8	
CTT 900.60.20.105	SK20 - 10.5	0.5	10.0 - 10.5	28.5	54	23.4	41	8	
CTT 900.60.20.110	SK20 - 11.0	0.5	10.5 - 11.0	28.5	54	23.4	41	8	
CTT 900.60.20.115	SK20 - 11.5	0.5	11.0 - 11.5	28.5	54	23.4	41	8	
CTT 900.60.20.120	SK20 - 12.0	0.5	11.5 - 12.0	28.5	54	23.4	41	8	

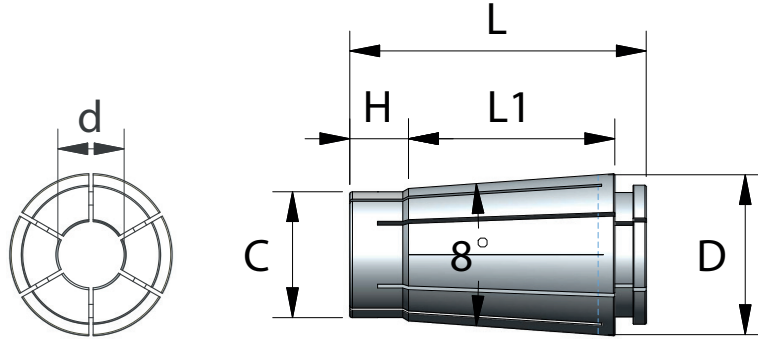
# Yüksek Hızlı tezgahlar için Hassas Pens

## High Speed SK Collect Chuck for High Speed Machining

SK 20



Sipariş No. Order No.	Ürün Tanımı Product	Menzil Range	d (mm)	D (mm)	L (mm)	C (mm)	L1 (mm)	H (mm)	Fiyat / Price (€)
CTT 900.60.20.125	SK20 - 12.5	0.5	12.0 - 12.5	28.5	54	23.4	41	8	
CTT 900.60.20.130	SK20 - 13.0	0.5	12.5 - 13.0	28.5	54	23.4	41	8	
CTT 900.60.20.135	SK20 - 13.5	0.5	13.0 - 13.5	28.5	54	23.4	41	8	
CTT 900.60.20.140	SK20 - 14.0	0.5	13.5 - 14.0	28.5	54	23.4	41	8	
CTT 900.60.20.145	SK20 - 14.5	0.5	14.0 - 14.5	28.5	54	23.4	41	8	
CTT 900.60.20.150	SK20 - 15.0	0.5	14.5 - 15.0	28.5	54	23.4	41	8	
CTT 900.60.20.155	SK20 - 15.5	0.5	15.0 - 15.5	28.5	54	23.4	41	8	
CTT 900.60.20.160	SK20 - 16.0	0.5	15.5 - 16.0	28.5	54	23.4	41	8	
CTT 900.60.20.165	SK20 - 16.5	0.5	16.0 - 16.5	28.5	54	23.4	41	8	
CTT 900.60.20.170	SK20 - 17.0	0.5	16.5 - 17.0	28.5	54	23.4	41	8	
CTT 900.60.20.175	SK20 - 17.5	0.5	17.0 - 17.5	28.5	54	23.4	41	8	
CTT 900.60.20.180	SK20 - 18.0	0.5	17.5 - 18.0	28.5	54	23.4	41	8	
CTT 900.60.20.185	SK20 - 18.5	0.5	18.0 - 18.5	28.5	54	23.4	41	8	
CTT 900.60.20.190	SK20 - 19.0	0.5	18.5 - 19.0	28.5	54	23.4	41	8	
CTT 900.60.20.195	SK20 - 19.5	0.5	19.0 - 19.5	28.5	54	23.4	41	8	
CTT 900.60.20.200	SK20 - 20.0	0.5	19.5 - 20.0	28.5	54	23.4	41	8	



Sipariş No. Order No.	Ürün Tanımı Product	Menzil Range	d (mm)	D (mm)	L (mm)	C (mm)	L1 (mm)	H (mm)	Fiyat / Price (€)
CTT 900.60.25.160	SK25 - 16.0	0.5	15.5 - 16.0	35	57	28.9	43	8.5	
CTT 900.60.25.165	SK25 - 16.5	0.5	16.0 - 16.5	35	57	28.9	43	8.5	
CTT 900.60.25.170	SK25 - 17.0	0.5	16.5 - 17.0	35	57	28.9	43	8.5	
CTT 900.60.25.175	SK25 - 17.5	0.5	17.0 - 17.5	35	57	28.9	43	8.5	
CTT 900.60.25.180	SK25 - 18.0	0.5	17.5 - 18.0	35	57	28.9	43	8.5	
CTT 900.60.25.185	SK25 - 18.5	0.5	18.0 - 18.5	35	57	28.9	43	8.5	
CTT 900.60.25.190	SK25 - 19.0	0.5	18.5 - 19.0	35	57	28.9	43	8.5	
CTT 900.60.25.195	SK25 - 19.5	0.5	19.0 - 19.5	35	57	28.9	43	8.5	
CTT 900.60.25.200	SK25 - 20.0	0.5	19.5 - 20.0	35	57	28.9	43	8.5	
CTT 900.60.25.205	SK25 - 20.5	0.5	20.0 - 20.5	35	57	28.9	43	8.5	
CTT 900.60.25.210	SK25 - 21.0	0.5	20.5 - 21.0	35	57	28.9	43	8.5	
CTT 900.60.25.215	SK25 - 21.5	0.5	21.0 - 21.5	35	57	28.9	43	8.5	
CTT 900.60.25.220	SK25 - 22.0	0.5	21.5 - 22.0	35	57	28.9	43	8.5	
CTT 900.60.25.225	SK25 - 22.5	0.5	22.0 - 22.5	35	57	28.9	43	8.5	
CTT 900.60.25.230	SK25 - 23.0	0.5	22.5 - 23.0	35	57	28.9	43	8.5	
CTT 900.60.25.235	SK25 - 23.5	0.5	23.0 - 23.5	35	57	28.9	43	8.5	
CTT 900.60.25.240	SK25 - 24.0	0.5	23.5 - 24.0	35	57	28.9	43	8.5	
CTT 900.60.25.245	SK25 - 24.5	0.5	24.0 - 24.5	35	57	28.9	43	8.5	
CTT 900.60.25.250	SK25 - 25.0	0.5	24.5 - 25.0	35	57	28.9	43	8.5	
CTT 900.60.25.255	SK25 - 25.4	0.5	25.0 - 25.4	35	57	28.9	43	8.5	